

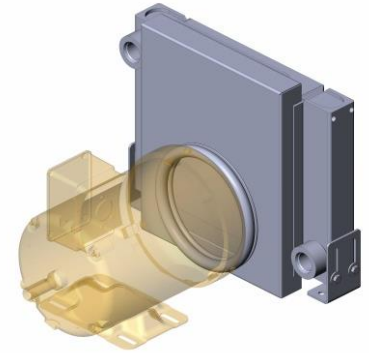
# CD SERIES CASE DRAIN COOLERS



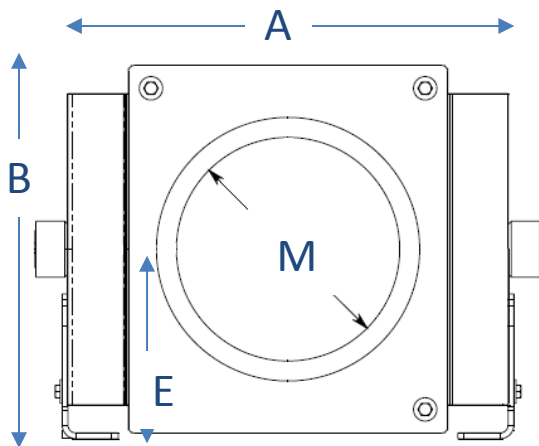
## PRODUCT INFORMATION



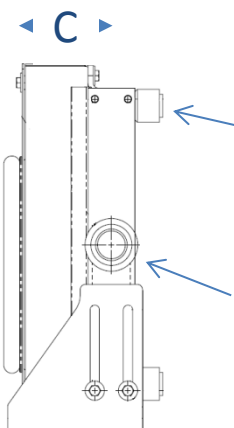
The AKG CD series is designed to fit behind TEFC motors to provide cooling for pump case drain lines. The adjustable feet and multiple motor plate options allow for easy installation. AKG Bar Plate Design offer greater cooling and does not require a protective guard.



## PRODUCT INFORMATION

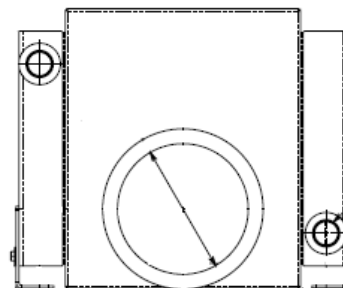


CD Series Dimensions						
Model	A	B	C	E	M	Inlet./outlet
CD5-56	14.02"	11.78"	3.95"	3.3"-4.9"	5.5"	#12 SAE
CD5-184	14.02"	11.78"	3.95"	4.5"-6.1"	7.0"	#12 SAE
CD10-56	13.78"	10.79"	6.79"	3.5"-5.6"	5.5"	#12 SAE
CD10-145	13.78"	10.79"	6.79"	3.5"-5.6"	6.5"	#12 SAE
CD10-184	13.78"	10.79"	6.79"	4.5"-6.6"	7.0"	#12 SAE
CD10-215	13.78"	10.79"	6.79"	5.2"-7.3"	7.0"	#12 SAE
CD10-256	13.78"	10.79"	6.79"	5.9"-8.1"	7.0"	#12 SAE
CD16-256	16.1"	13.8"	6.04"	6.3"-9.3"	7.0"	#16 SAE
CD16-286	16.1"	13.8"	6.04"	7.0"-10.1"	8.5"	#16 SAE
CD16-326	16.1"	13.8"	6.04"	7.0"-10.1"	10.5"	#16 SAE
CD16-365	16.1"	13.8"	6.04"	7.0"-10.1"	10.5"	#16 SAE

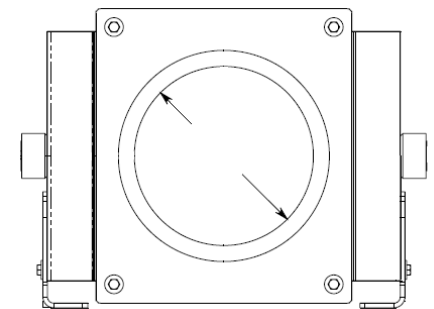


CD5 M14 port.  
CD10 and CD16 #8 SAE ports

CD5 # 12 SAE connection  
CD10 # 12 SAE connection  
CD16 # 16 SAE connection



CD5 port layout



CD10-CD16 port layout

AKG Thermal Systems, Inc.

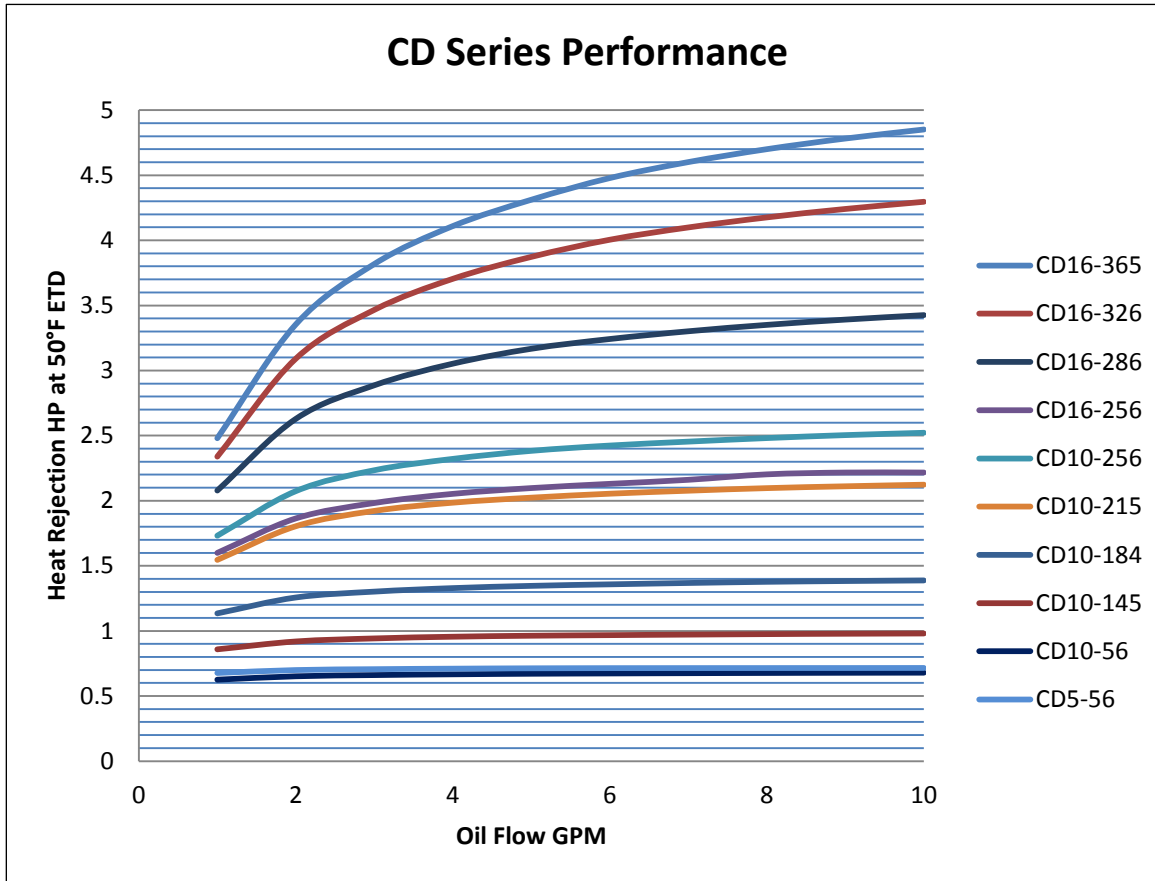
P.O. Box 189 Mebane, NC 27302-0189; Phone: +1 919-563-4871; Fax: +1 919-563-4917

Email: sales@akgts.com; Internet: www.akgts.com

# CD SERIES CASE DRAIN COOLERS



## PERFORMANCE



Pressure drop with 50 SUS oil at 10 gpm is less than 5 psig. , 1-2 psi with typical case drain flow of 2-3 gpm. Performance based on typical 1800 rpm TEFC motor.

## ORDERING INFORMATION

Model Code	Motor Frame	Options
CD5	CD5 56/143, 184	-AD NPT adaptors
CD10	CD10 56, 145, 184, 215, 256	-KIT ( includes front plates for all motor frames and bulb seal shipped loose)
CD16	CD16 256, 286, 326, 365	