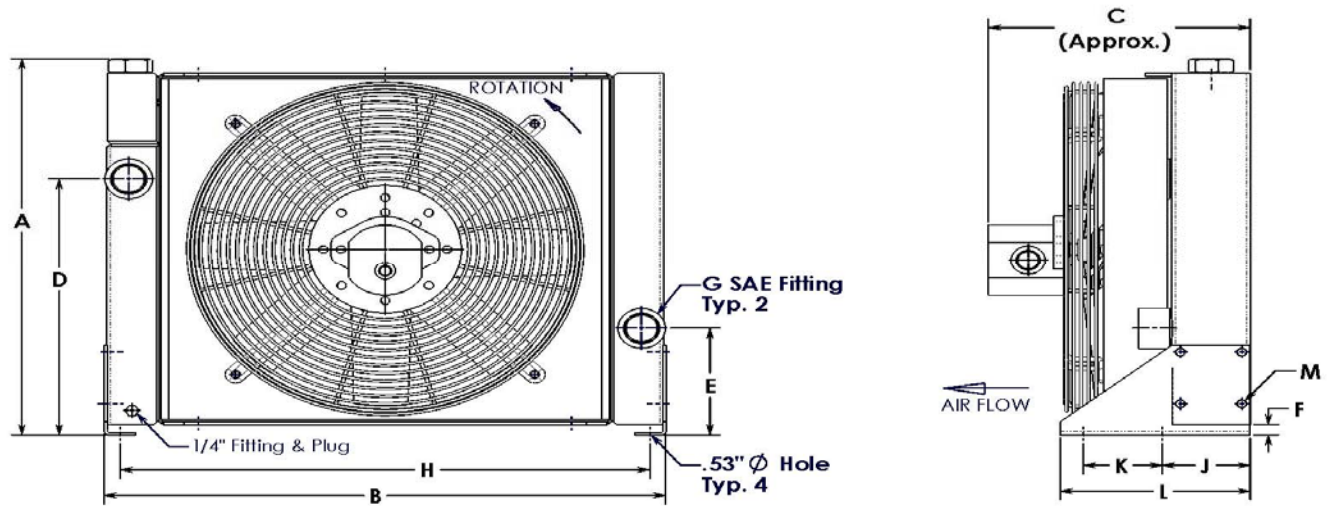
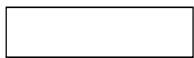


# HC SERIES BYPASS COOLERS



MODEL NUMBER	A	B	C (Approx.)	D	E	F	G	H	J	K	L	M	P	Approx. Weights	
														Net	Shipping
HC 14	12.83	16.20	10.98	6.61	3.31	0.55	#16 SAE 1 5/16-12 UN-2B	14.72	3.09	3.50	7.38	M8x10 Bolt (4 PL)	#8 SAE 3/4-16 UN-2B	42	47
HC 26	16.72	20.15	10.98	10.47	3.31	0.55		18.66						62	67
HC 32	16.97	20.67	12.60	10.12	6.02	0.59	#20 SAE 1 5/8-12 UN-2B	19.45						67	77
HC 48	21.26	26.65	12.09	14.49				25.16	4.17	3.74	9.02	M10x20 Bolt (8 PL)	139	177	
HC 66	23.11	30.59	12.17	16.39				29.09						165	210
HC 120	28.94	39.53	15.12	19.84	9.92	2.13	2" SAE 4-Bolt FLANGE	37.72	5.39	7.87	15.47	M12x20 Bolt (8 PL)	#12 SAE 1 1/16-12 UN- 2B	242	302
HC 180	37.48	43.46	17.32	29.52	9.06	2.13		41.65						352	407
HC 240	39.37	45.33	18.78	31.14	9.04	2.11		43.52						380	447
HC 300	45.34	51.24	20.94	34.49	11.02	1.40	3" SAE 4-Bolt FLANGE	49.43	7.4	10.39	21.57	3/4 X 1 1/2 Bolt (8 PL)	#16 SAE 1 5/16-12 UN- 2B	532	620
HC 380	59.76	53.01	20.94	43.62	17.56	2.04		50.35						787	877

## ORDERING INFORMATION



HC SERIES



MODEL SIZE  
SELECTED



MOTOR CODE  
0 = No Motor  
0218 = 0.218 cu-in  
0372 = 0.372 cu-in  
0050 = 0.50 cu-in  
0120 = 1.20 cu-in  
0140 = 1.4 cu-in  
0195 = 1.95 cu-in



BYPASS DATA  
BPNV=BYPASS NO VALVE  
BP25= 25PSI INT BYPASS  
BP30= 30PSI INT BYPASS  
BP60= 60PSI INT BYPASS  
BP65= 65PSI INT BYPASS



CUSTOM FEATURE  
CODE  
R = Reversed Air Flow  
AD = SAE to NPT Adaptors  
H = Heresite Coating Core  
F = Filter