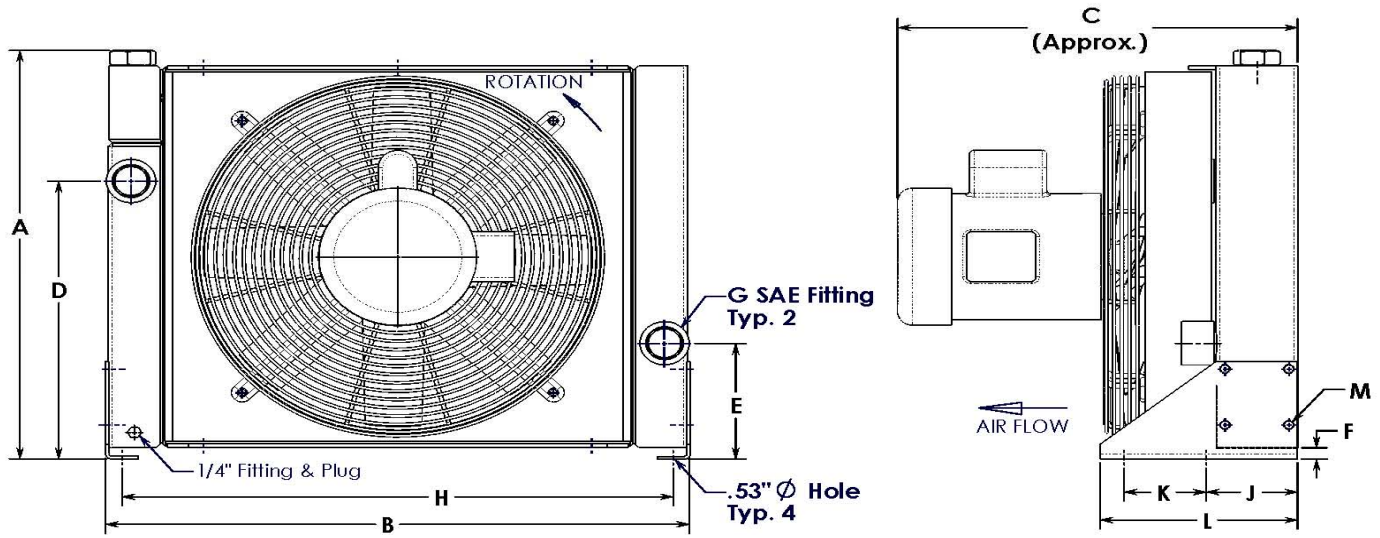


AC SERIES BYPASS COOLERS



MODEL NUMBER	A	B	(Approx.)	D	E	F	G	H	J	K	L	M	Approx. Weights	
													Net	Shipping
AC 8	12.83	16.20	15.00	6.61	3.31	0.55	#16 SAE 1 5/16-12 UN-2B	14.72	3.09	3.50	7.38	M8x10 Bolt (4 PL)	36	47
AC 16	16.72	20.15	15.70	10.47	3.31	0.55		18.66					47	57
AC 30	21.26	26.65	17.76	14.49	6.02	0.59	#20 SAE 1 5/8-12 UN-2B	25.16	4.17	3.74	9.02	M10x20 Bolt (8 PL)	92	127
AC 40	23.11	30.59	18.74	16.39				29.09					127	165
AC 70	28.94	39.53	22.28	19.84	9.92	2.13	2" SAE 4-Bolt FLANGE	37.72	5.39	7.87	15.47	M12x20 Bolt (8 PL)	197	242
AC 100	37.48	43.46	24.57	29.52	9.06	2.13		41.65					352	407
AC 130	39.37	45.33	29.75	31.14	9.04	2.11		43.52					368	423
AC 160	45.34	51.24	30.22	34.49	11.02	1.40	3" SAE 4-Bolt FLANGE	49.43	7.4	10.39	21.57	3/4 X 1 1/2 Bolt (8 PL)	483	548
AC 250	59.76	53.01	30.55	43.62	17.56	2.04		50.35					603	691

ORDERING INFORMATION

AC SERIES - Standard
 ACL SERIES - Low Noise

MODEL SIZE
 SELECTED

MOTOR CODE
 0 = No Motor
 C = Core Only
 1 = Single Phase
 3 = Three Phase
 575 = 575 Volt

BYPASS DATA
 BPNV=BYPASS NO VALVE
 BP25= 25PSI INT BYPASS
 BP30= 30PSI INT BYPASS
 BP60= 60PSI INT BYPASS
 BP65= 65PSI INT BYPASS

CUSTOM FEATURE
 CODE
 R = Reversed Air Flow
 AD = SAE to NPT Adaptors
 H = Heresite Coating Core
 F = Filter