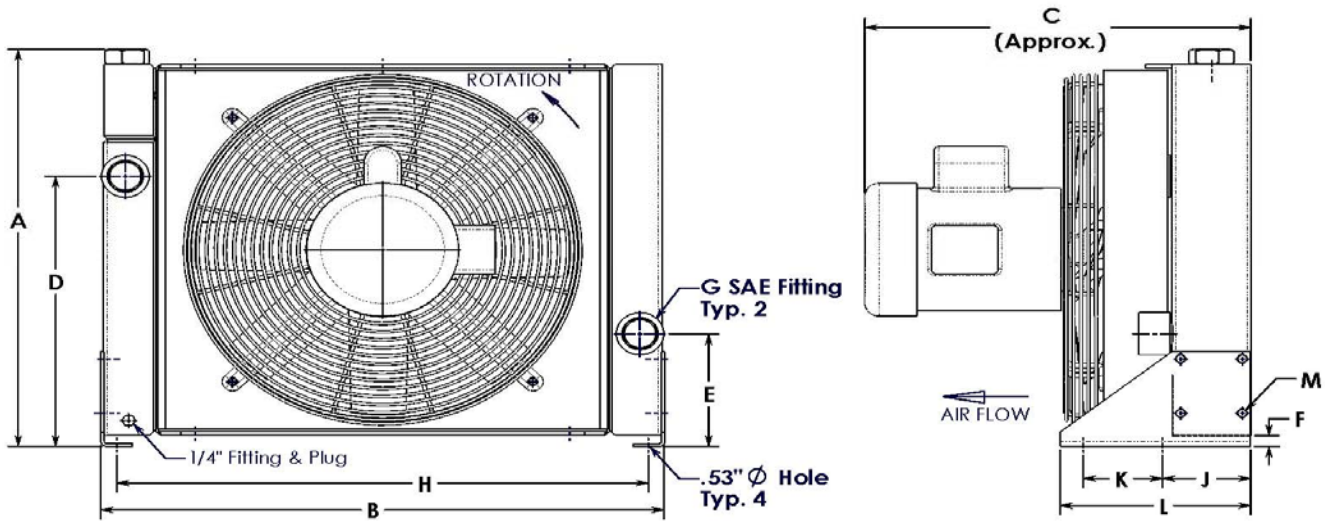


ACD SERIES BYPASS COOLERS



MODEL NUMBER	A	B	C (Approx.)	D	E	F	G	H	J	K	L	M	Approx. Weights	
													Net	Shipping
ACD 8	12.83	16.20	15.00	6.61	3.31	0.55	#16 SAE 1 5/16-12 UN-2B	14.72	3.09	3.50	7.38	M8x10 Bolt (4 PL)	36	47
ACD 16	16.72	20.15	15.70	10.47	3.31	0.55		18.66					47	57
ACD 30	21.26	26.65	17.76	14.49	6.02	0.59	#20 SAE 1 5/8-12 UN-2B	25.16	4.17	3.74	9.02	M10x20 Bolt (8 PL)	92	127
ACD 40	23.11	30.59	18.74	16.39				29.09					127	165
ACD 70	28.94	39.53	22.28	19.84	9.92	2.13	2" SAE 4-Bolt FLANGE	37.72	5.39	7.87	15.47	M12x20 Bolt (8 PL)	197	242
ACD 100	37.48	43.46	24.57	29.52	9.06	2.13		41.65					352	407
ACD 130	39.37	45.33	29.75	31.14	9.04	2.11		43.52					368	423
ACD 160	45.34	51.24	30.22	34.49	11.02	1.40	3" SAE 4-Bolt FLANGE	49.43	7.4	10.39	21.57	3/4 X 1 1/2 Bolt (8 PL)	483	548
ACD 250	59.76	53.01	30.55	43.62	17.56	2.04	50.35	603					691	

ORDERING INFORMATION



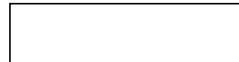
ACD SERIES - Standard
ACDL SERIES - Low Noise



MODEL SIZE
SELECTED



MOTOR CODE
0 = No Motor
C = Core Only
1 = Single Phase
3 = Three Phase
575 = 575 Volt



BYPASS DATA
BPNV=BYPASS NO VALVE
BP25= 25PSI INT BYPASS
BP30= 30PSI INT BYPASS
BP60= 60PSI INT BYPASS
BP65= 65PSI INT BYPASS



CUSTOM FEATURE
CODE
R = Reversed Air Flow
AD = SAE to NPT Adaptors
H = Heresite Coating Core
F = Filter